

FAS EASY VEND



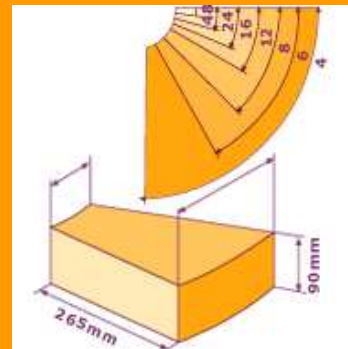
FAS International is surely one of the most important manufacturers of snack machines worldwide.

Components and technical features of FAS snack machines makes service and operating process quick and comfortable for technicians and operators as well.

FAS EASY VEND is a food vendor of new generation, which is able to sale up to 480 products on 10 levels (drums). All products are stored and put out from the drum always in horizontal position - specially for products that can not be sold in snack machines. "No frost" technology with automatic defrost control.

EASY VEND is able to keep the temperature up to +3°C (by up to +32°C outside) and has a health control, which can switch off a machine by reaching a higher temperature as programmed.

FAS EASY VEND



Technical data FAS EASY VEND

Versions:	Food vendor
Capacity:	up to 480
Drums:	10
Selections:	up to 48 per drum
LCD display:	20 signs, 2 lines
Protocol:	MDB/Executive
Dimensions:	1830 x 860 x 760 mm
Weight:	275 kg
Power:	230V / 50 Hz



3vend Vertriebs- und
Beratungsgesellschaft mbH
Jägerhofstr. 31
40479 Düsseldorf (Germany)

Tel: +49 211 497 63 50
Fax: +49 211 497 63 51
e-mail: info@3vend.de
web: www.3vend.de