

# FAS TOP/LUX 480



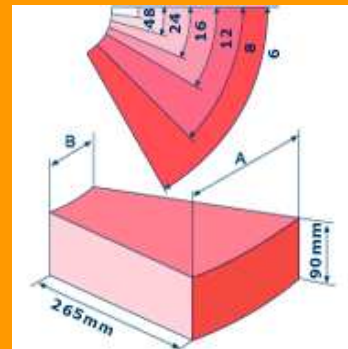
FAS International is surely one of the most important manufacturers of snack machines worldwide.

Components and technical features of FAS snack machines makes service and operating process quick and comfortable for technicians and operators as well.

FAS TOP/LUX 480 is a classical food vendor which is able to sale up to 480 products on 10 levels (drums). All products are stored and put out from the drum always in horizontally position - you can fill the machine with products that can not be sold in snack machines.

FAS LUX 480 is able to keep the temperature up to +4°C. TOP 480 is able to keep the temperature up to +3°C (up to +32°C outside) and has a health control which can switch off the machine by reaching a higher temperature as programmed

FAS TOP/LUX 480



Technical data FAS TOP/LUX 480

Versions:	Food vendor
Capacity:	up to 480
Drums:	10
Selections:	up to 48 per drum
LCD display:	20 signs, 2 lines
Protocol:	MDB/Executive
Dimensions:	1830 x 1040 x 760 mm
Weight:	275 kg
Power:	230V / 50 Hz



3vend Vertriebs- und  
Beratungsgesellschaft mbH  
Jägerhofstr. 31  
40479 Düsseldorf (Germany)

Tel: +49 211 497 63 50  
Fax: +49 211 497 63 51  
e-mail: info@3vend.de  
web: www.3vend.de